

Large Format Electric wall or ceiling mounted screens



Projection format

Available in Square 1:1 or Video 4:3 format.

Material & borders

Crisp Matte White easy to maintain projection material. No Black borders.

Operation

Electrically operated, supplied with a wall switch as standard.

Remote operation using Radio Frequency or Infra Red signal is available as optional extras.

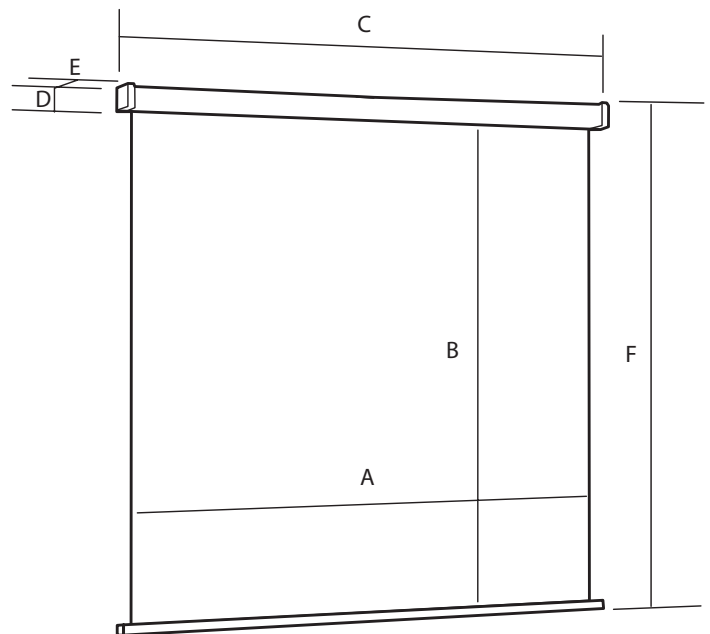
Installation

White powder coated aluminium case with a robust channel fix mounting system for fast, secure installations to a wall or ceiling. Requires electrical installation. Motor on left hand side.

Large electric screens are ideal for use in many environments with large audiences including Lecture Theatres, Auditoriums, School Halls, Conference Centres and Churches.

12 month guarantee.

Different screen sizes and formats with front, rear or perforated cloth; with or without black borders are available on request – Please ask for details of our Made to Order Screens.



Product Code	Dimension cm	Format	A Screen Width mm	B Screen Height mm	C Case Length mm	D Case Height mm	E Case Depth mm	F Overall Height mm	Weight kg
213511	350 x 350	1:1	3500	3500	3600	145	147	3645	35
213514	400 x 400	1:1	4000	4000	4100	145	147	4145	42
213512	350 x 262	4:3	3500	2620	3600	145	147	2765	35
213513	400 x 300	4:3	4000	3000	4100	145	147	3145	42